

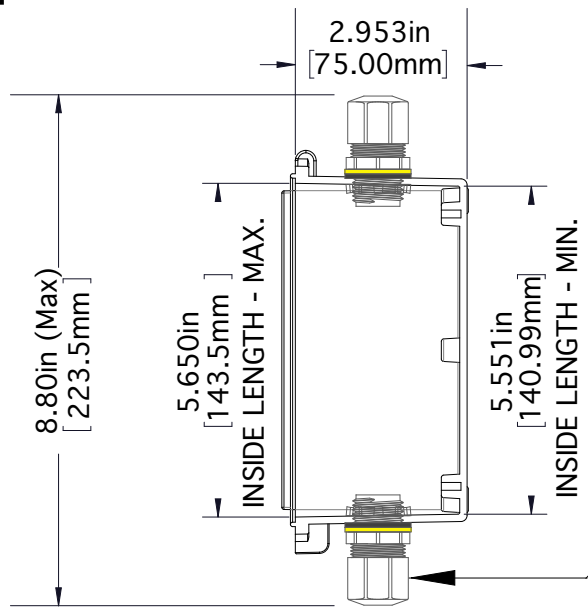
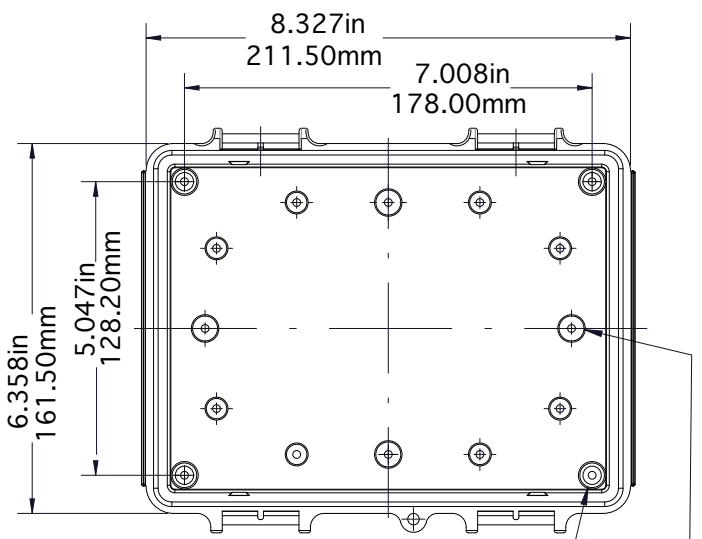
1

2

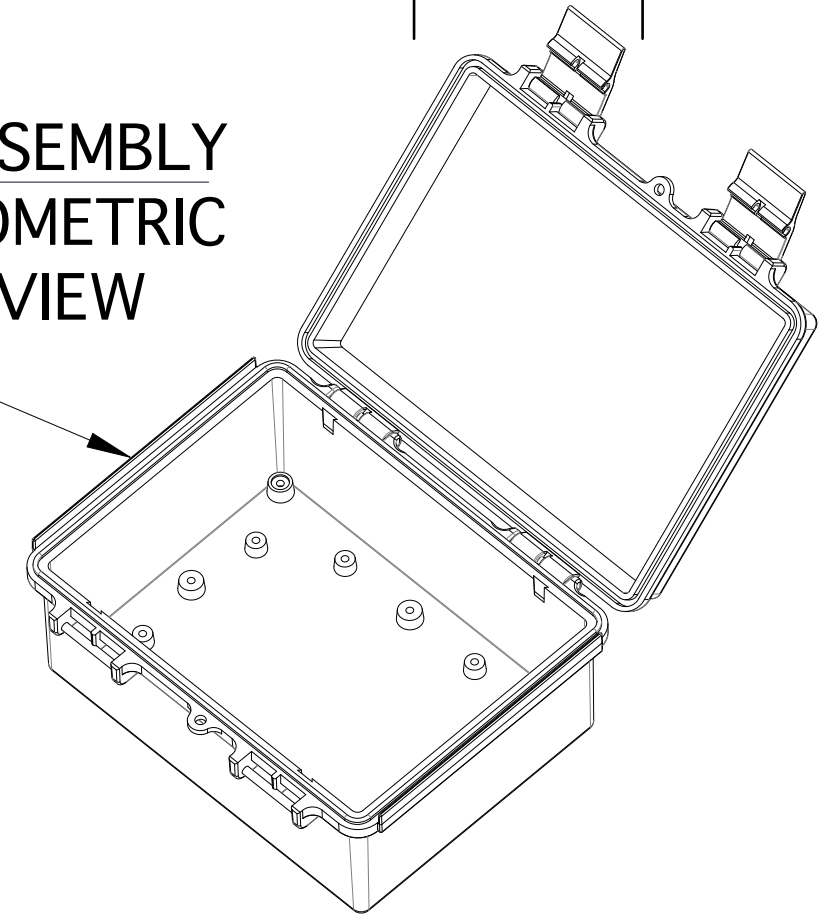
3

BODY

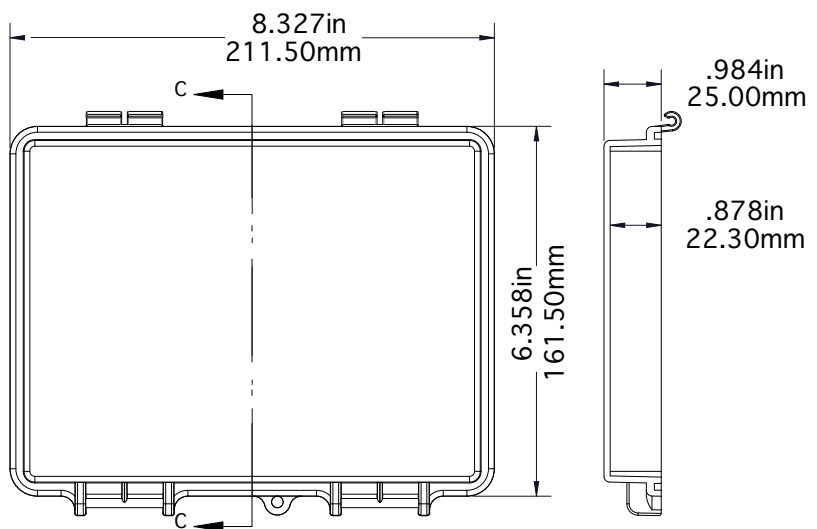
REVISION HISTORY			
REV	DESCRIPTION	DATE	APPROVED



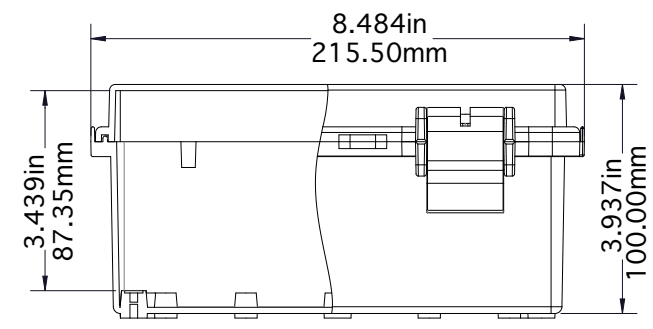
ASSEMBLY ISOMETRIC VIEW



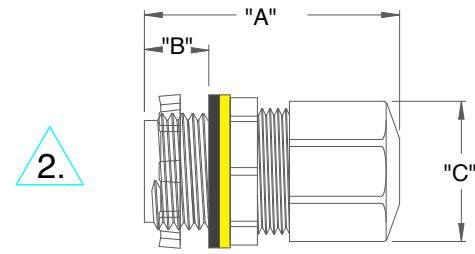
COVER



ASSEMBLY



1/2" MNPT Sealing Cable Gland Detail



- A = 1.792in (45.52mm)
- B = 0.502in (12.75mm)
- C = 0.978in (24.84mm)

Plastic Washer Shown in Yellow,
EPR Sealing Gasket Shown in Gray
0.093in (2.36mm) Thick


Use with cables with diameter from
0.100 to 0.300in (2.54 to 7.62mm)

NOTES.

- NEMA 4X, CSA/UL Listed Enclosure, PBT/PC plastic for Body, Polycarbonate plastic for clear door cover
UL94-HB for Body & UL94-V0 for Door Flammability Rating, UV Stabilized with Polyurethane Internal Gaskets
- 1/2" MNPT sealing cable glands along with mating tapped and threaded holes (not shown on drawing) with EPR sealing gasket 3 each on top and 3 each on bottom standard
- Wall mounting kit supplied standard (not shown on drawing).
2" NPT Pipe Mounting Kit Optional (supplied & ordered separately).

TOLERANCES	
1 Place: ± .1	3 Places: ± .005
2 Places: ± .01	4 Places: ± .0005
Angular: ± 0.25°	

DRAWN BY TADP
CHECKED BY MJP
APPROVED BY MJP

				Advanced Sensor Technologies, Inc. Website: http://www.astisensor.com Toll-Free: 888-969-2784							
TITLE						5MF NEMA 4X ENCLOSURE ASSEMBLY					
SIZE	PROJECT	DRAWING NO.			REV						
B	5MF	5MF - Wall Mounting			/						
SCALE	Not to Scale		MODEL	5MF		SHEET	1		OF	1	

1

2

3