

1

2

3

REV

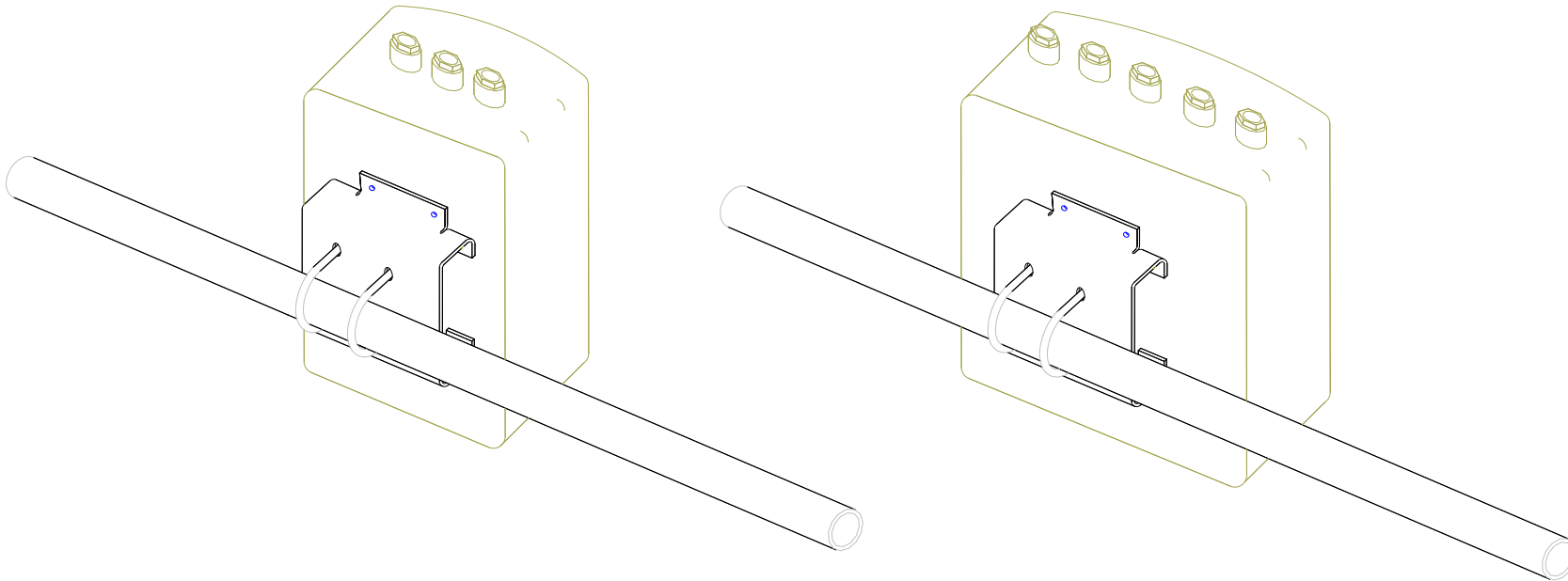
DESCRIPTION

DATE

APPROVED

A

A



Mounting Bracket is Universal. Same bracket can be used for 3TX-2M and 3TX-4M enclosure assemblies. Mounting can be supported for both vertical (not shown here) and horizontal 2" pipe installation styles without modifying bracket position on enclosure.

NOTES.

- 1. Material, 1018 steel, 14 ga. Powder Coated
- 2. Internal Bend Radius = R.06
- 3. Bend allowance -.140 per 90°

B

B



Advanced Sensor Technologies, Inc.
 Orange, California USA
 Phone: 714-978-2837

TOLERANCES	
1 Place: ± .1	3 Places: ± .005
2 Places: ± .02	4 Places: ± .0005
Angular: ± 0.25°	

DRAWN BY
 Thomas Patko

CHECKED BY
 Martin Patko

APPROVED BY
 Martin Patko

TITLE
 3TX-2M & 3TX-4M Enclosure 2" Pipe Mounting Bracket - View 3

SIZE A	PROJECT	DRAWING NO. 2" Pipe Mounting Bracket	REV A
-----------	---------	---	----------

SCALE x1	SHEET 1 OF 1
----------	--------------

1

2

3

1

2

3

REV

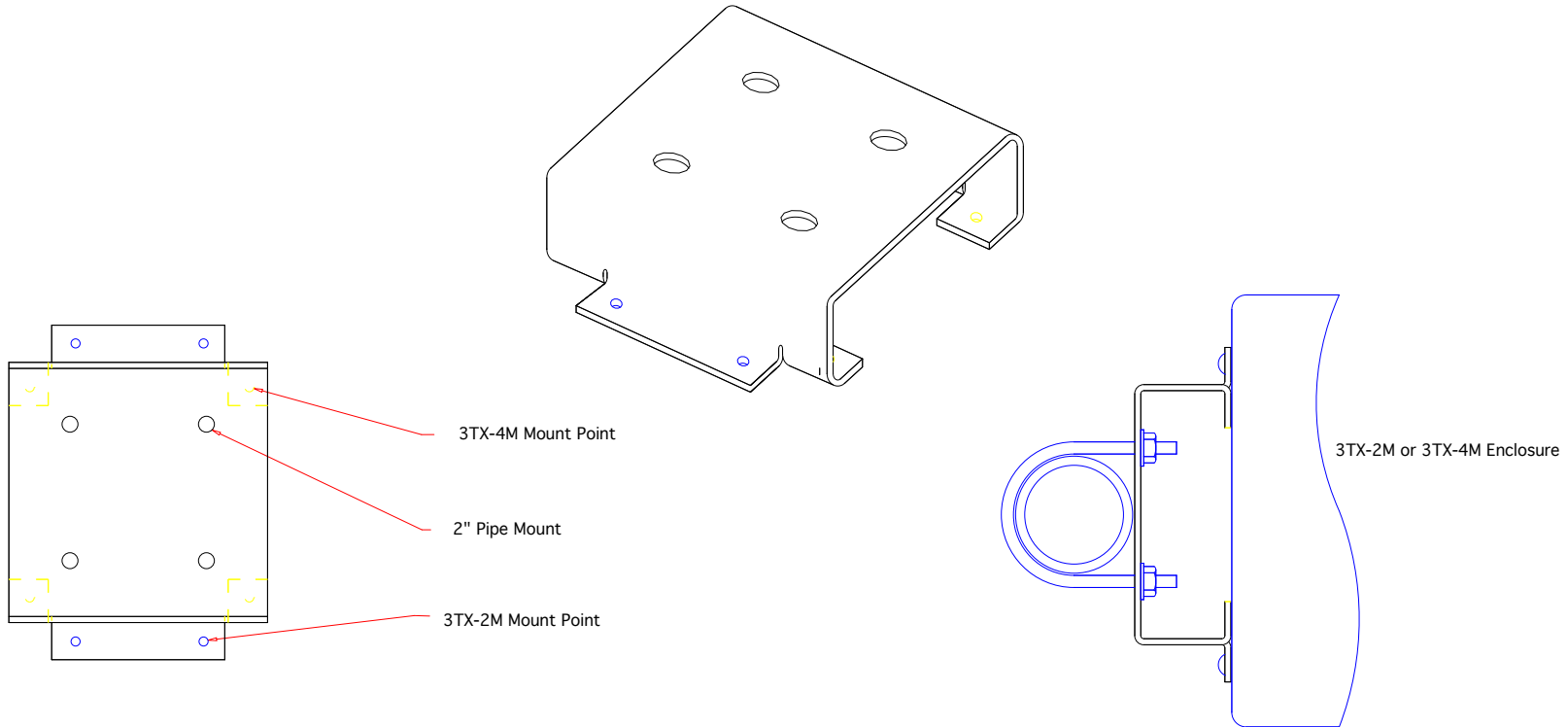
DESCRIPTION

DATE

APPROVED

A

A



NOTES.

- 1. Material, 1018 steel, 14 ga. Powder Coated
- 2. Internal Bend Radius = R.06
- 3. Bend allowance -.140 per 90°

B

B



Advanced Sensor Technologies, Inc.
 Orange, California USA
 Phone: 714-978-2837

TOLERANCES	
1 Place: ± .1	3 Places: ± .005
2 Places: ± .02	4 Places: ± .0005
Angular: ± 0.25°	

DRAWN BY Thomas Patko
CHECKED BY Martin Patko
APPROVED BY Martin Patko

TITLE 3TX-2M & 3TX-4M Enclosure 2" Pipe Mounting Bracket - View 2			
SIZE A	PROJECT	DRAWING NO. 2" Pipe Mounting Bracket	REV A
SCALE x1		SHEET 1 OF 1	

1

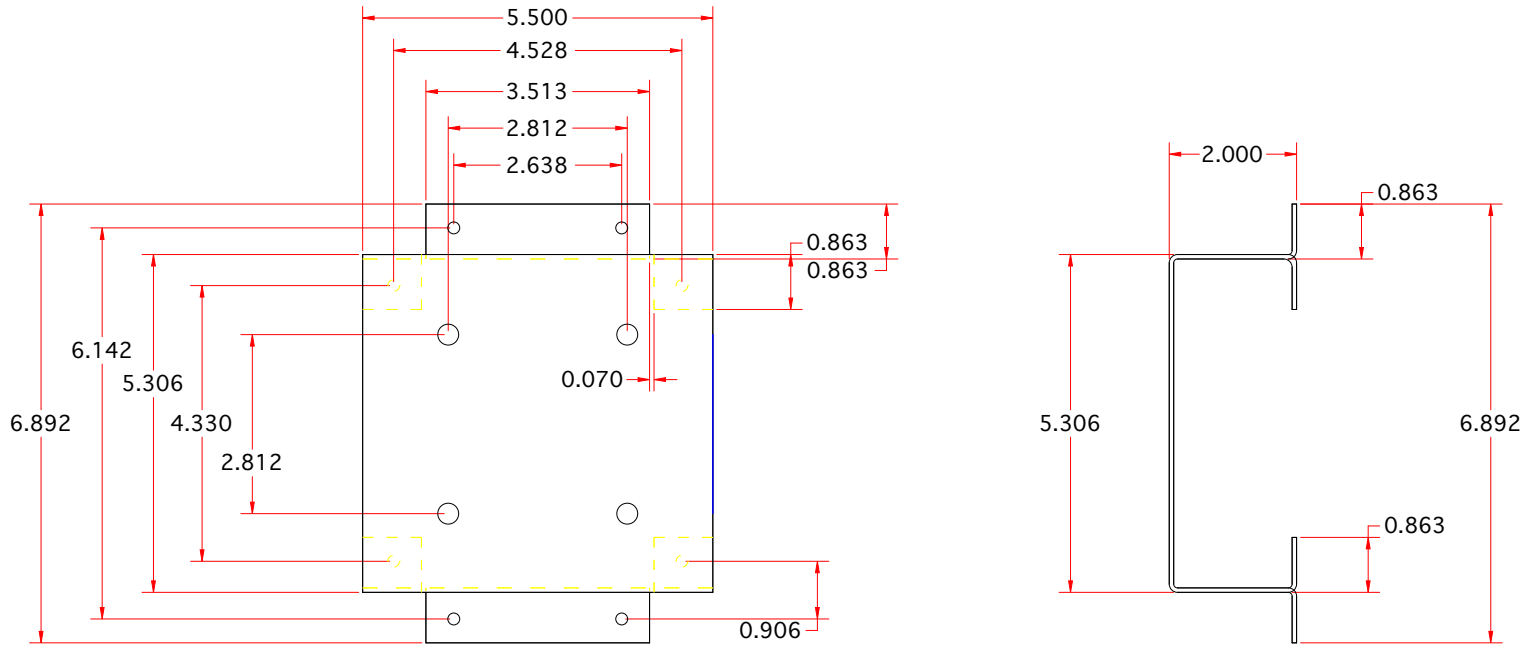
2

3

1	2	3
REV	DESCRIPTION	DATE
		APPROVED

A

A



NOTES.

- 1. Material, 1018 steel, 14 ga. Powder Coated
- 2. Internal Bend Radius = R.06
- 3. Bend allowance -.140 per 90°

B

B

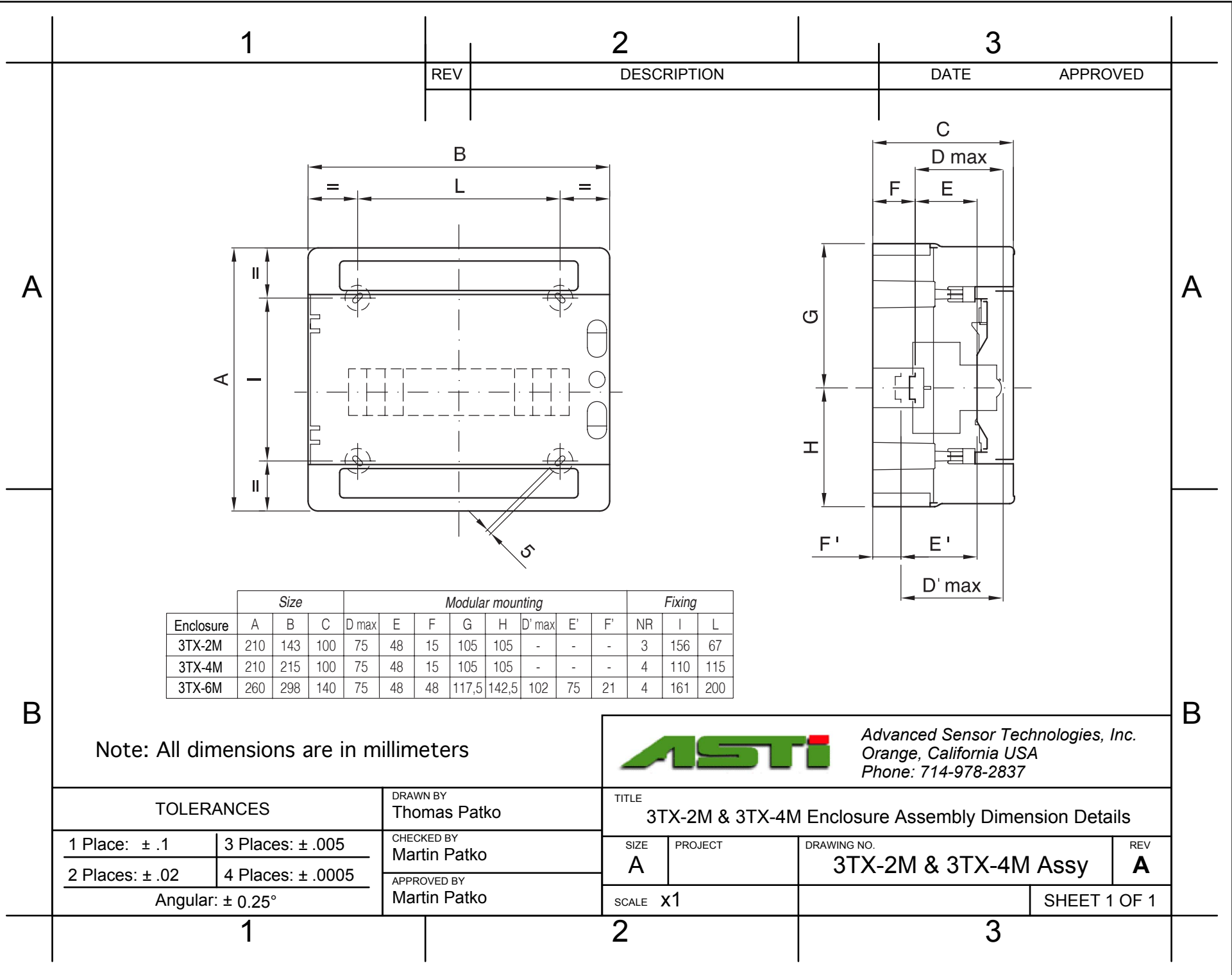


Advanced Sensor Technologies, Inc.
 Orange, California USA
 Phone: 714-978-2837

TOLERANCES		DRAWN BY Thomas Patko
1 Place: ± .1	3 Places: ± .005	CHECKED BY Martin Patko
2 Places: ± .02	4 Places: ± .0005	APPROVED BY Martin Patko
Angular: ± 0.25°		

TITLE 3TX-2M & 3TX-4M Enclosure 2" Pipe Mounting Bracket - View 1			
SIZE A	PROJECT	DRAWING NO. 2" Pipe Mounting Bracket	REV A
SCALE x1		SHEET 1 OF 1	

1	2	3



REV

DESCRIPTION

DATE

APPROVED

Enclosure	Size			Modular mounting								Fixing		
	A	B	C	D max	E	F	G	H	D' max	E'	F'	NR	I	L
3TX-2M	210	143	100	75	48	15	105	105	-	-	-	3	156	67
3TX-4M	210	215	100	75	48	15	105	105	-	-	-	4	110	115
3TX-6M	260	298	140	75	48	48	117,5	142,5	102	75	21	4	161	200

Note: All dimensions are in millimeters



Advanced Sensor Technologies, Inc.
Orange, California USA
Phone: 714-978-2837

TOLERANCES

1 Place: ± .1	3 Places: ± .005
2 Places: ± .02	4 Places: ± .0005
Angular: ± 0.25°	

DRAWN BY
Thomas Patko

CHECKED BY
Martin Patko

APPROVED BY
Martin Patko

TITLE
3TX-2M & 3TX-4M Enclosure Assembly Dimension Details

SIZE A	PROJECT	DRAWING NO. 3TX-2M & 3TX-4M Assy	REV A
-----------	---------	-------------------------------------	----------

SCALE x1 SHEET 1 OF 1