

1

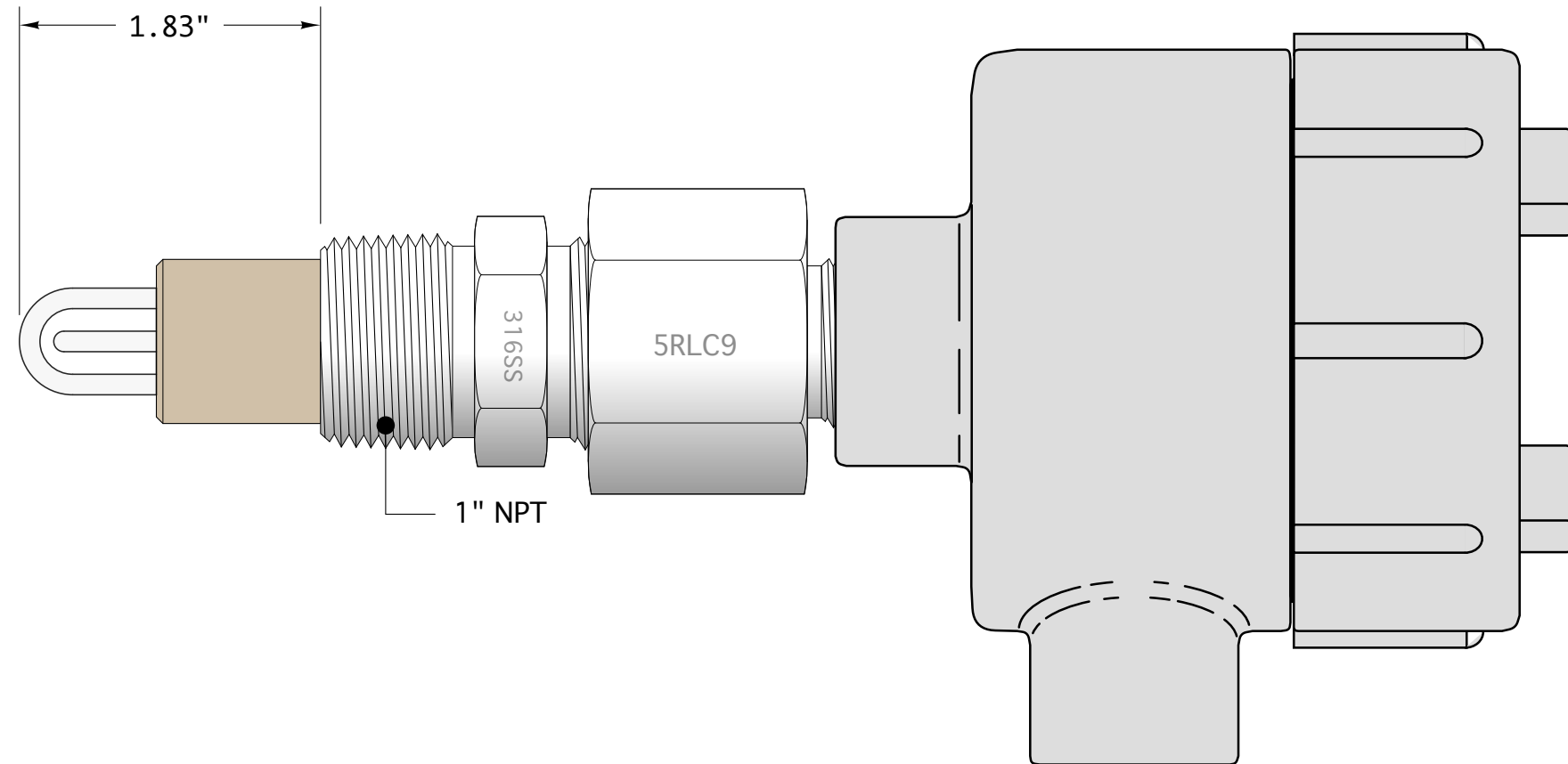
2

3

REVISION HISTORY

REV	DESCRIPTION	DATE	APPROVED
A	ADDED PIPE ADAPTER 5RLC9	1/19/13	T. PATKO

A



A

AST60-0.1-PT1000-HPPK-JB

MAX PRESSURE/TEMP: 500 PSIG AT 120°C

WETTED MATERIALS: 316SS, PEEK, EPDM

B

B



Advanced Sensor Technologies, Inc.  
 Orange, California USA  
 Toll-Free: 888-969-2784

TOLERANCES	
1 Place: $\pm .1$	3 Places: $\pm .005$
2 Places: $\pm .01$	4 Places: $\pm .0005$
Angular: $\pm 0.25^\circ$	

DRAWN BY  
RH

CHECKED BY  
TADP

APPROVED BY  
MJP

TITLE  
AST60-0.1-PT1000-HPPK-JB \* SPECIAL \*

SIZE	PROJECT	DRAWING NO.	REV
B	DUPONT	AST60 HPPK SPECIAL	A

SCALE Not to Scale MODEL AST60-0.1-HPPK SHEET 1 OF 1

1

2

3