

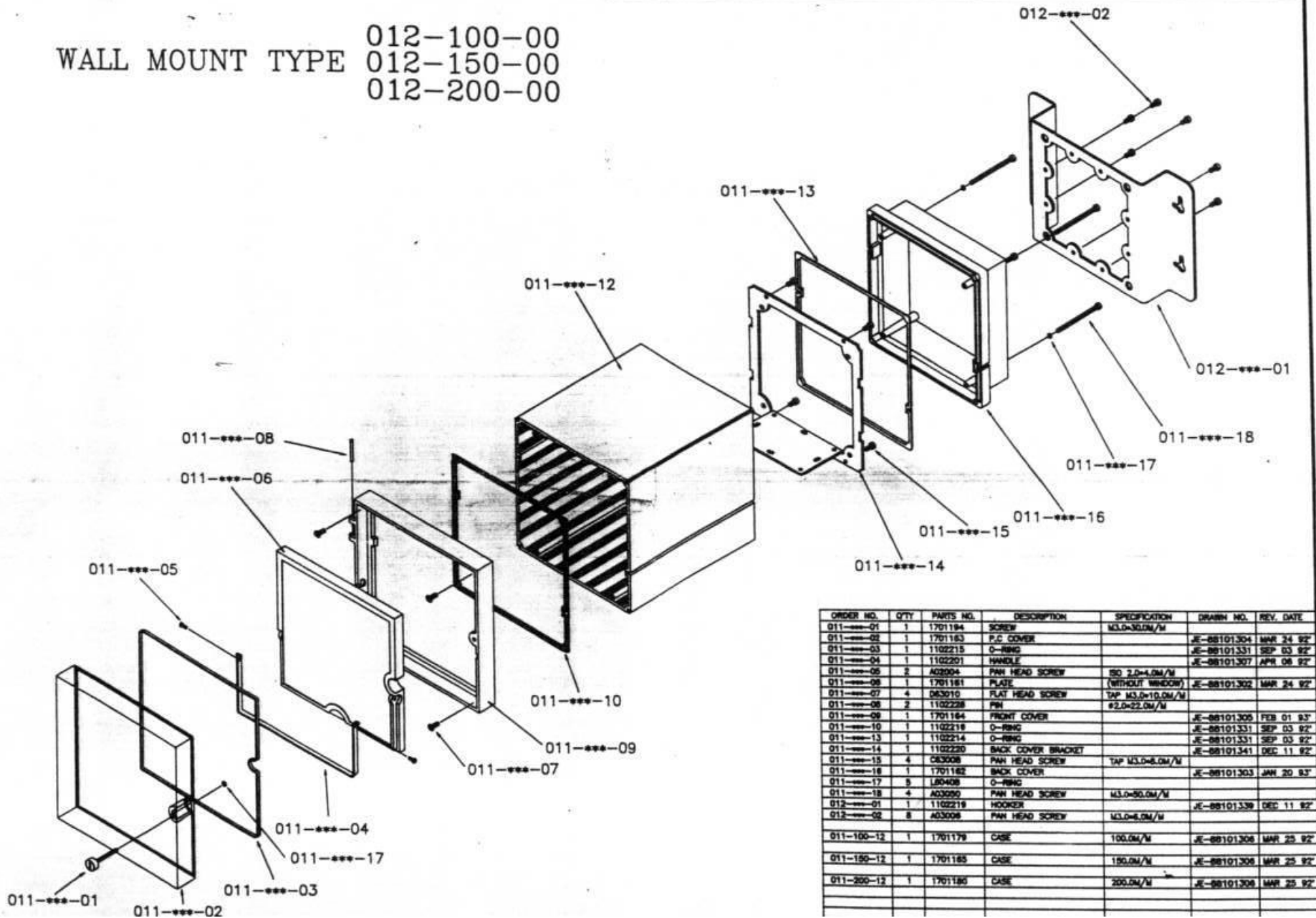


IOTRON™

pH / ORP / ISE Measurement Product Lines

Mounting Hardware for 2TX & 4TX

WALL MOUNT TYPE 012-100-00
 012-150-00
 012-200-00



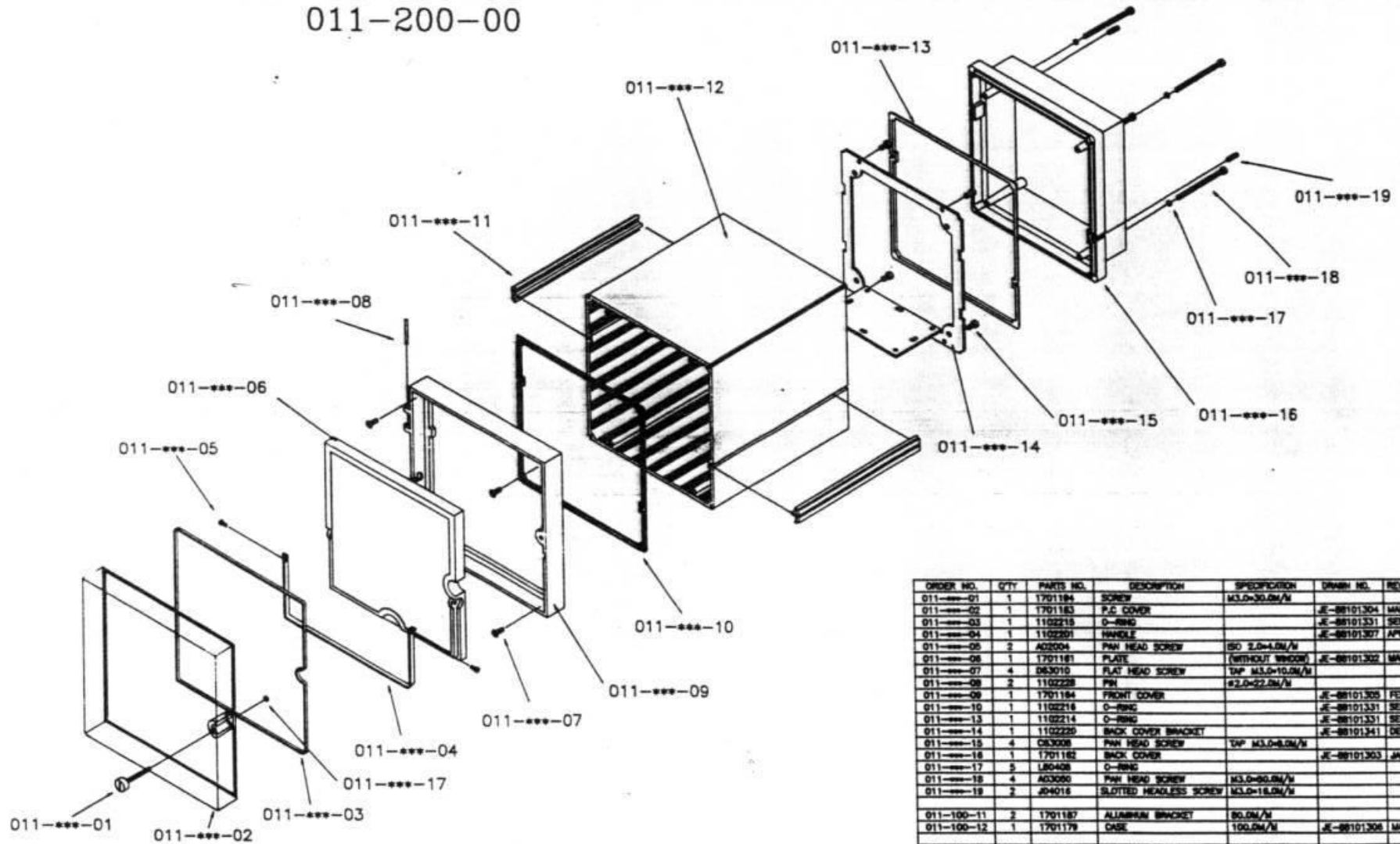
| ORDER NO. | QTY | PARTS NO. | DESCRIPTION | SPECIFICATION | DRAWN NO. | REV. DATE |
|------------|-----|-----------|--------------------|------------------|-------------|------------|
| 011-000-01 | 1 | 1701184 | SCREW | M3.0x30.0M/M | | |
| 011-000-02 | 1 | 1701183 | P.C COVER | | JE-88101304 | MAR 24 92' |
| 011-000-03 | 1 | 1102215 | O-RING | | JE-88101331 | SEP 03 92' |
| 011-000-04 | 1 | 1102201 | HANDLE | | JE-88101307 | APR 06 92' |
| 011-000-05 | 2 | A03004 | PAW HEAD SCREW | ISO 2.0x4.0M/M | | |
| 011-000-06 | 1 | 1701181 | PLATE | (WITHOUT WINDOW) | JE-88101302 | MAR 24 92' |
| 011-000-07 | 4 | D63010 | FLAT HEAD SCREW | TAP M3.0x10.0M/M | | |
| 011-000-08 | 2 | 1102228 | PIN | #2.0x22.0M/M | | |
| 011-000-09 | 1 | 1701184 | FRONT COVER | | JE-88101305 | FEB 01 93' |
| 011-000-10 | 1 | 1102218 | O-RING | | JE-88101331 | SEP 03 92' |
| 011-000-13 | 1 | 1102214 | O-RING | | JE-88101331 | SEP 03 92' |
| 011-000-14 | 1 | 1102230 | BACK COVER BRACKET | | JE-88101341 | DEC 11 92' |
| 011-000-15 | 4 | D63008 | PAW HEAD SCREW | TAP M3.0x8.0M/M | | |
| 011-000-16 | 1 | 1701182 | BACK COVER | | JE-88101303 | JAN 20 93' |
| 011-000-17 | 5 | L80408 | O-RING | | | |
| 011-000-18 | 4 | A03050 | PAW HEAD SCREW | M3.0x60.0M/M | | |
| 012-000-01 | 1 | 1102219 | HOOKER | | JE-88101339 | DEC 11 92' |
| 012-000-02 | 8 | A03008 | PAW HEAD SCREW | M3.0x6.0M/M | | |
| 011-100-12 | 1 | 1701179 | CASE | 100.0M/M | JE-88101306 | MAR 25 92' |
| 011-150-12 | 1 | 1701185 | CASE | 150.0M/M | JE-88101306 | MAR 25 92' |
| 011-200-12 | 1 | 1701180 | CASE | 200.0M/M | JE-88101306 | MAR 25 92' |



IOTRON™
pH / ORP / ISE Measurement Product Lines

Mounting Hardware for 2TX & 4TX

PANEL TYPE 011-100-00
011-150-00
011-200-00



| ORDER NO. | QTY | PARTS NO. | DESCRIPTION | SPECIFICATION | DRAWN NO. | REV. DATE |
|------------|-----|-----------|------------------------|-------------------|-------------|-----------|
| 011-01 | 1 | 1701184 | SCREW | M3.0-30.0M/N | | |
| 011-02 | 1 | 1701183 | P.C. COVER | | JE-88101304 | MAR 24 92 |
| 011-03 | 1 | 1102215 | O-RING | | JE-88101331 | SEP 03 92 |
| 011-04 | 1 | 1102201 | HANDLE | | JE-88101307 | APR 08 92 |
| 011-05 | 2 | A03004 | PHW HEAD SCREW | ISO 2.0-4.0M/N | | |
| 011-06 | 1 | 1701181 | PLATE | (WITHOUT BRACKET) | JE-88101302 | MAR 24 92 |
| 011-07 | 4 | D63010 | FLAT HEAD SCREW | TAP M3.0-10.0M/N | | |
| 011-08 | 2 | 1102228 | PHW | ø2.0-22.0M/N | | |
| 011-09 | 1 | 1701184 | FRONT COVER | | JE-88101305 | FEB 01 93 |
| 011-10 | 1 | 1102216 | O-RING | | JE-88101331 | SEP 03 92 |
| 011-13 | 1 | 1102214 | O-RING | | JE-88101331 | SEP 03 92 |
| 011-14 | 1 | 1102220 | BACK COVER BRACKET | | JE-88101341 | DEC 11 92 |
| 011-15 | 4 | C83008 | PHW HEAD SCREW | TAP M3.0-8.0M/N | | |
| 011-16 | 1 | 1701182 | BACK COVER | | JE-88101303 | JAN 20 93 |
| 011-17 | 5 | L80408 | O-RING | | | |
| 011-18 | 4 | A03000 | PHW HEAD SCREW | M3.0-60.0M/N | | |
| 011-19 | 2 | J04016 | SLOTTED HEADLESS SCREW | M3.0-16.0M/N | | |
| 011-100-11 | 2 | 1701187 | ALUMINUM BRACKET | 80.0M/N | | |
| 011-100-12 | 1 | 1701179 | CASE | 100.0M/N | JE-88101306 | MAR 25 92 |
| 011-150-11 | 2 | 1701188 | ALUMINUM BRACKET | 130.0M/N | | |
| 011-150-12 | 1 | 1701185 | CASE | 150.0M/N | JE-88101306 | MAR 25 92 |
| 011-200-11 | 2 | 1701189 | ALUMINUM BRACKET | 180.0M/N | | |
| 011-200-12 | 1 | 1701180 | CASE | 200.0M/N | JE-88101306 | MAR 25 92 |

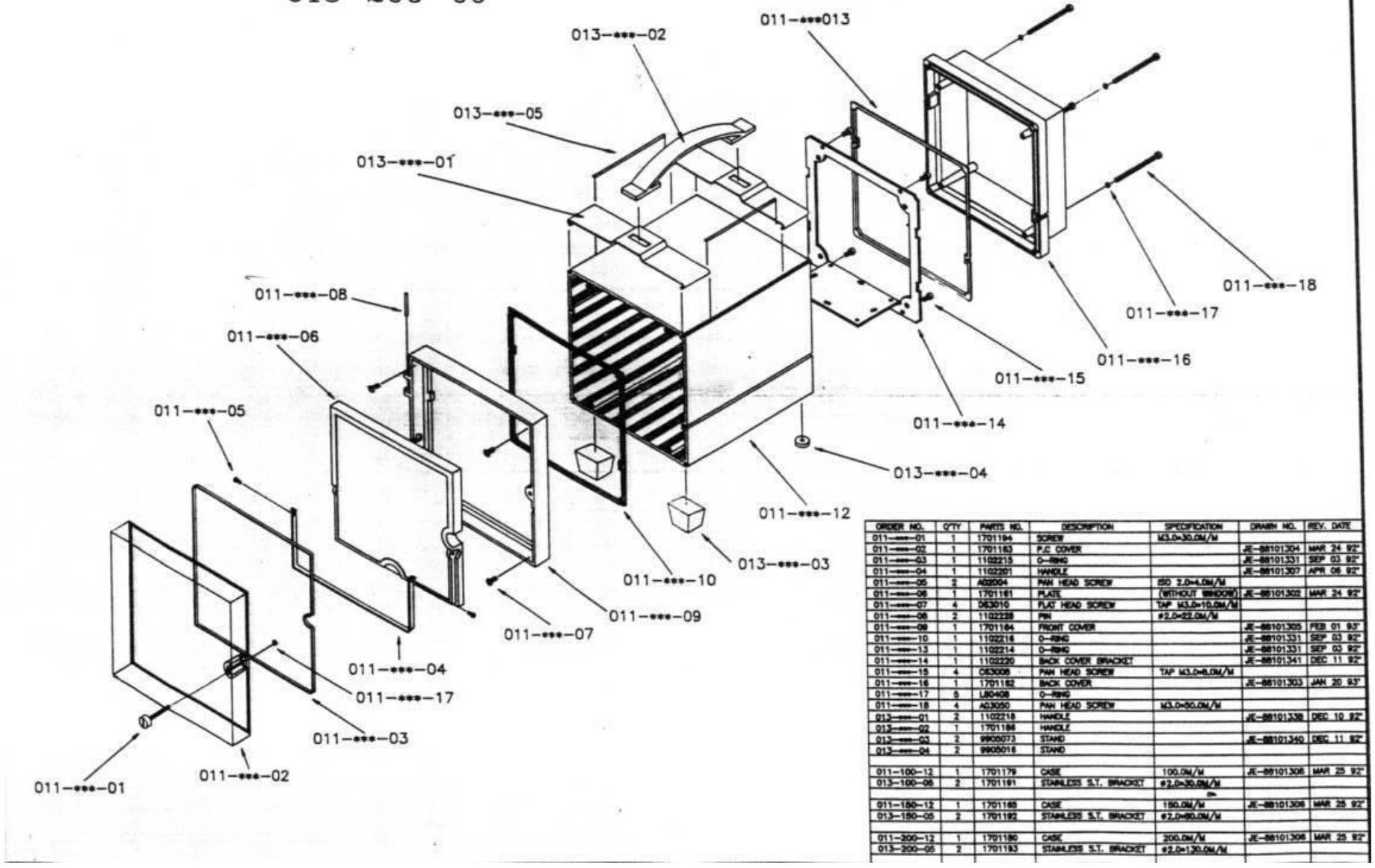


IOTRON™

pH / ORP / ISE Measurement Product Lines

Mounting Hardware for 2TX & 4TX

HANDHELD TYPE 013-100-00
 013-150-00
 013-200-00



| ORDER NO. | QTY | PARTS NO. | DESCRIPTION | SPECIFICATION | DRAWN NO. | REV. DATE |
|------------|-----|-----------|------------------------|------------------|-------------|------------|
| 011-000-01 | 1 | 1701184 | SCREW | M3.0x30.0M/M | | |
| 011-000-02 | 1 | 1701183 | P.C. COVER | | JE-88101304 | MAR 24 92' |
| 011-000-03 | 1 | 1102215 | O-RING | | JE-88101331 | SEP 03 92' |
| 011-000-04 | 1 | 1102201 | HANDLE | | JE-88101307 | APR 06 92' |
| 011-000-05 | 2 | A02004 | PAN HEAD SCREW | ISO 2.0x4.0M/M | | |
| 011-000-06 | 1 | 1701181 | PLATE | (WITHOUT WINDOW) | JE-88101302 | MAR 24 92' |
| 011-000-07 | 4 | D63010 | FLAT HEAD SCREW | TAP M3.0x10.0M/M | | |
| 011-000-08 | 2 | 1102228 | PIN | #2.0x22.0M/M | | |
| 011-000-09 | 1 | 1701184 | FRONT COVER | | JE-88101305 | FEB 01 93' |
| 011-000-10 | 1 | 1102218 | O-RING | | JE-88101331 | SEP 03 92' |
| 011-000-13 | 1 | 1102214 | O-RING | | JE-88101331 | SEP 03 92' |
| 011-000-14 | 1 | 1102220 | BACK COVER BRACKET | | JE-88101341 | DEC 11 92' |
| 011-000-15 | 4 | D63008 | PAN HEAD SCREW | TAP M3.0x8.0M/M | | |
| 011-000-16 | 1 | 1701182 | BACK COVER | | JE-88101303 | JAN 20 93' |
| 011-000-17 | 8 | L80408 | O-RING | | | |
| 011-000-18 | 4 | A03050 | PAN HEAD SCREW | M3.0x50.0M/M | | |
| 013-000-01 | 2 | 1102218 | HANDLE | | JE-88101338 | DEC 10 92' |
| 013-000-02 | 1 | 1701186 | HANDLE | | | |
| 013-000-03 | 2 | 8905073 | STAND | | JE-88101340 | DEC 11 92' |
| 013-000-04 | 2 | 8905018 | STAND | | | |
| 011-100-12 | 1 | 1701179 | CASE | 100.0M/M | JE-88101306 | MAR 25 92' |
| 013-100-06 | 2 | 1701181 | STAINLESS S.T. BRACKET | #2.0x30.0M/M | | |
| 011-180-12 | 1 | 1701188 | CASE | 180.0M/M | JE-88101308 | MAR 25 92' |
| 013-180-05 | 2 | 1701182 | STAINLESS S.T. BRACKET | #2.0x90.0M/M | | |
| 011-200-12 | 1 | 1701180 | CASE | 200.0M/M | JE-88101308 | MAR 25 92' |
| 013-200-05 | 2 | 1701183 | STAINLESS S.T. BRACKET | #2.0x130.0M/M | | |



IOTRON™
pH / ORP / ISE Measurement Product Lines

Mounting Hardware for 2TX & 4TX

